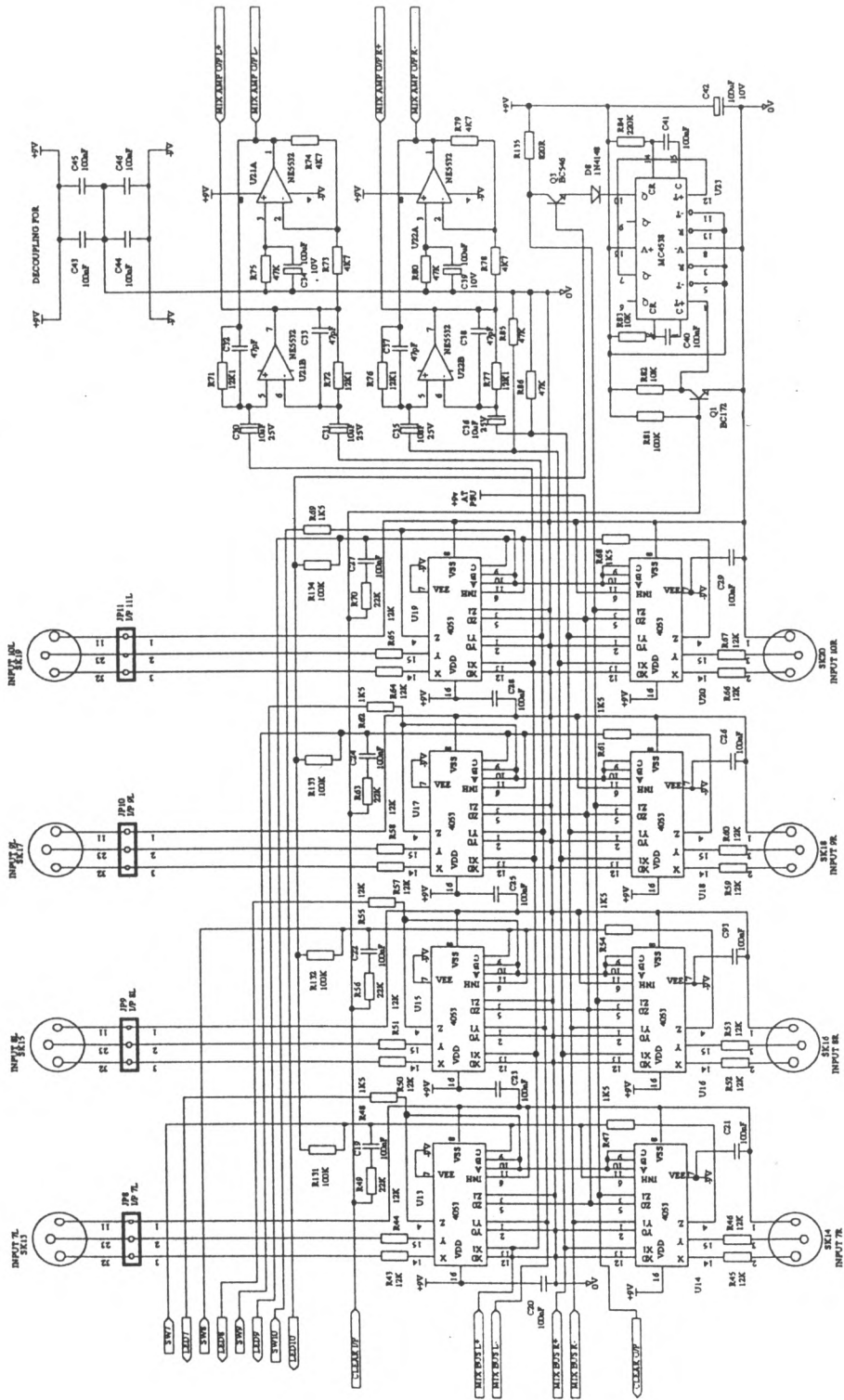


- 1 COM.DV
- 2 LED1
- 3 SW2
- 4 SW2
- 5 SW2
- 6 SW2
- 7 SW2
- 8 LED4
- 9 LED4
- 10 LED4
- 11 LED4
- 12 SW6
- 13 SW6
- 14 SW6
- 15 SW6
- 16 SW6
- 17 LED8
- 18 LED8
- 19 LED8
- 20 LED8
- 21 LED10

HIGHEST USED  
 C18  
 C15  
 U12  
 U11  
 J71

MARCOUL

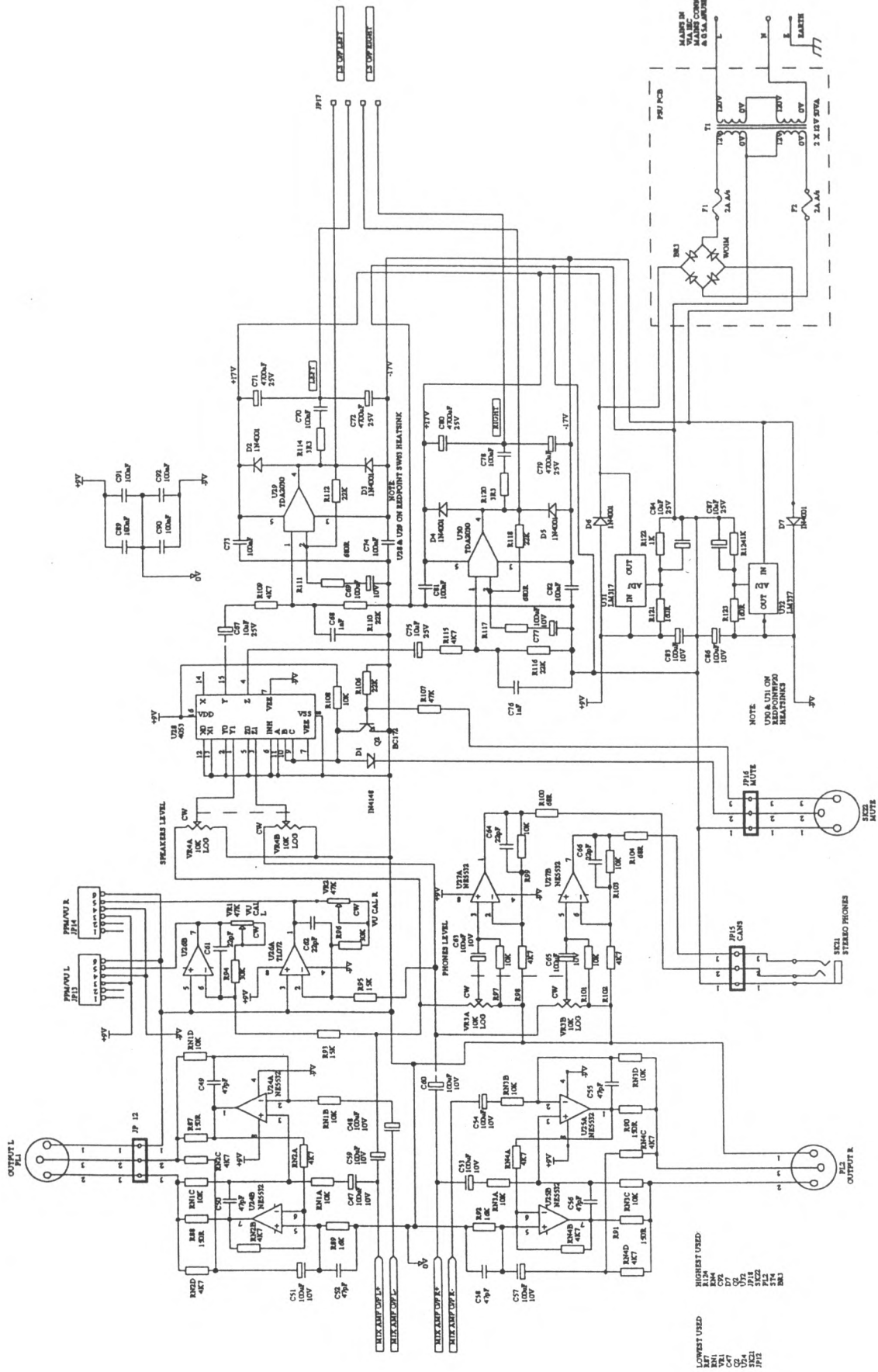
TYPE	MONITOR UNIT, INPUTS 1-6
REV	REVISED
DATE	1/28/66
BY	WELDON W. WOODRUFF, JR.
CHKD	WELDON W. WOODRUFF, JR.



- HIGHEST USED:  
 R46  
 C10  
 U21  
 R47  
 J1
- LOWEST USED:  
 R41  
 C19  
 R42  
 R43  
 R44  
 R45  
 R47  
 J1

MB702L

755	MONITOR UNIT, INPUTS 7-10
756	PRINTED
757	ENCLOSURE
758	ASSEMBLY
759	TEST POINTS
760	TEST POINTS
761	TEST POINTS
762	TEST POINTS
763	TEST POINTS
764	TEST POINTS
765	TEST POINTS
766	TEST POINTS
767	TEST POINTS
768	TEST POINTS
769	TEST POINTS
770	TEST POINTS
771	TEST POINTS
772	TEST POINTS
773	TEST POINTS
774	TEST POINTS
775	TEST POINTS
776	TEST POINTS
777	TEST POINTS
778	TEST POINTS
779	TEST POINTS
780	TEST POINTS
781	TEST POINTS
782	TEST POINTS
783	TEST POINTS
784	TEST POINTS
785	TEST POINTS
786	TEST POINTS
787	TEST POINTS
788	TEST POINTS
789	TEST POINTS
790	TEST POINTS
791	TEST POINTS
792	TEST POINTS
793	TEST POINTS
794	TEST POINTS
795	TEST POINTS
796	TEST POINTS
797	TEST POINTS
798	TEST POINTS
799	TEST POINTS
800	TEST POINTS



LOWEST USED  
 R10A  
 R11  
 R12  
 R13  
 R14  
 R15  
 R16  
 R17  
 R18  
 R19  
 R20

HIGHEST USED  
 R10B  
 R11  
 R12  
 R13  
 R14  
 R15  
 R16  
 R17  
 R18  
 R19  
 R20

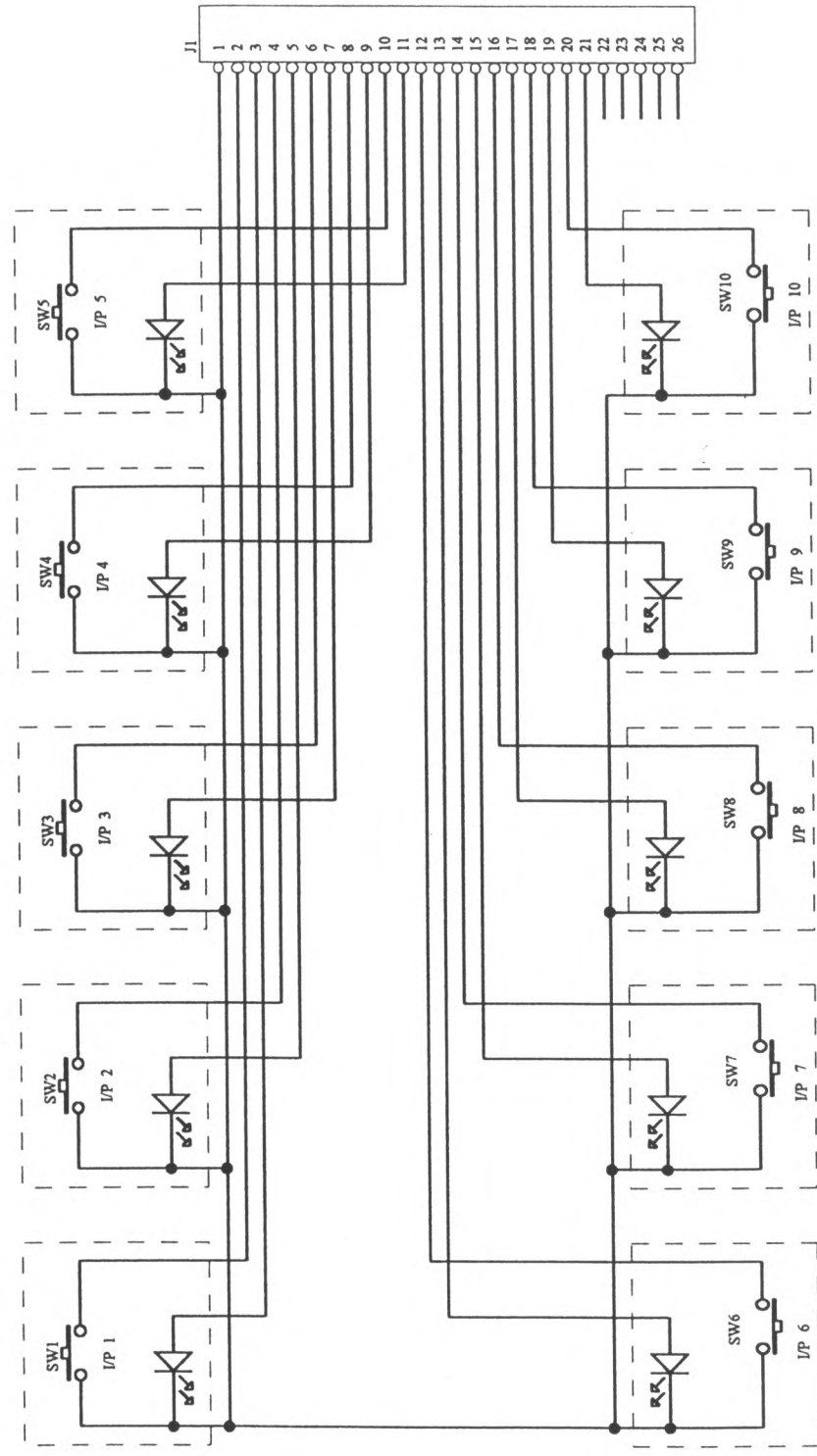
100	MONITOR UNIT (P1 & OUTPUT)	
101	1000000	1000000
102	1000000	1000000
103	1000000	1000000
104	1000000	1000000
105	1000000	1000000

D

C

B

A



Title MONITOR UNIT SWITCH BOARD

Size	Number	Revision
A4	MONSW	B
Date:	Sheet 4 of 4	
File:	C:\PRODUCTS\MONSW.SCH Drawn By: SJL	

D

C

B

A